

CHERUB

ESPRESSO COFFEE MACHINE

2022 - PRESENT

(INCLUDING 2012-2022)

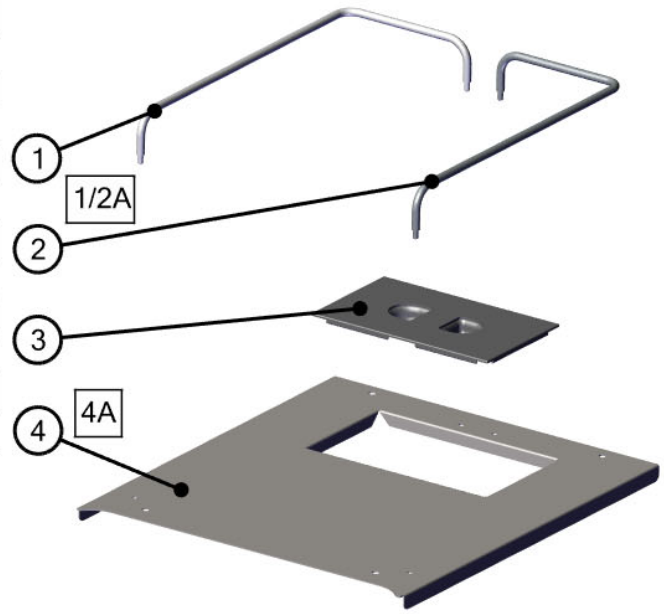


SPARE PARTS BOOK

www.fracino.com
spares@fracino.com
+44 (0)121 328 5757

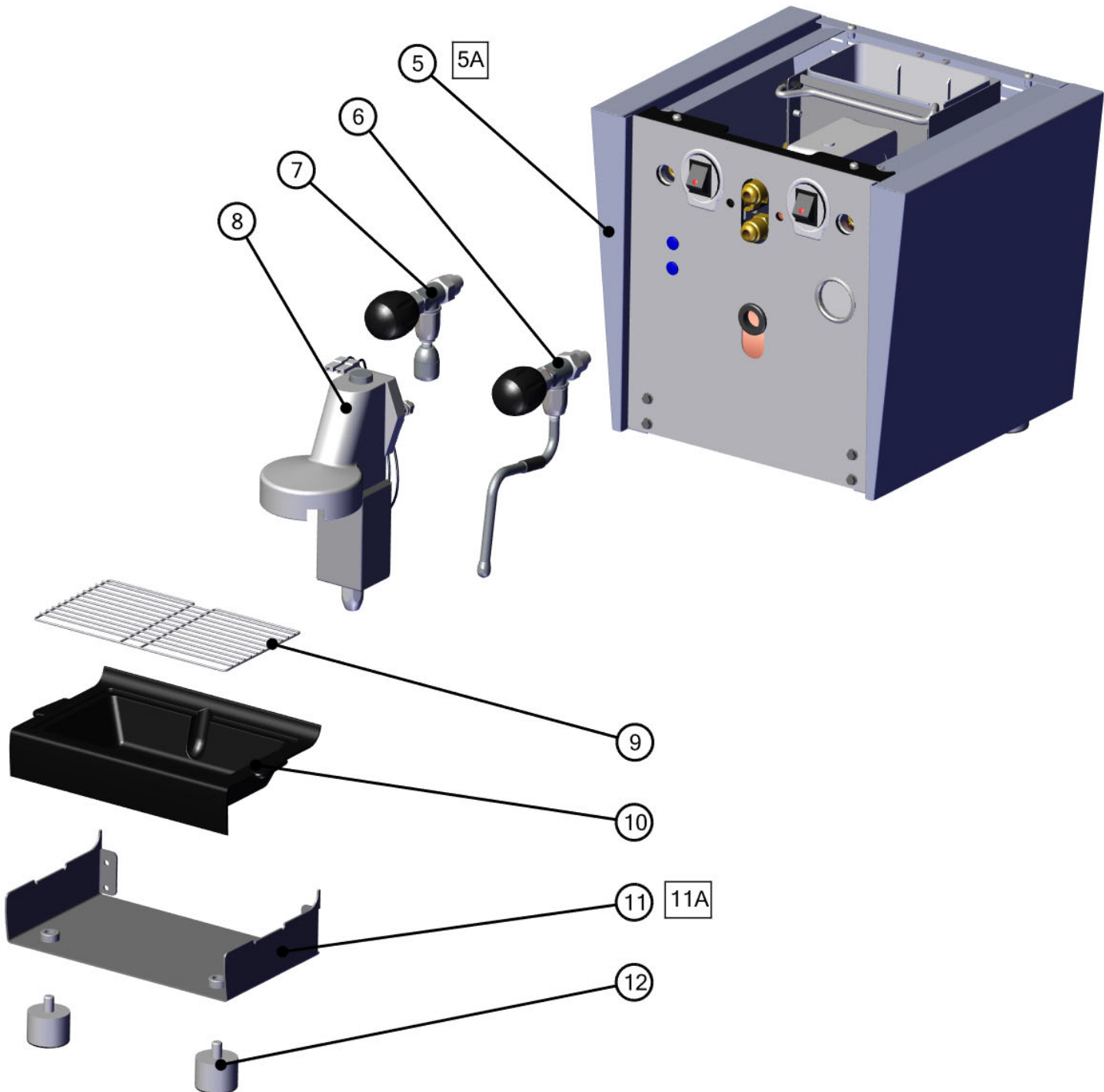
VERSION 1.1
02/2023

No.	Part No.	Description	Qty
1	CHE230-SL	CHERUB CUP SHIELD SIDE BAR LH 2022 ONWARD	1
2	CHE230-SR	CHERUB CUP SHIELD SIDE BAR RH 2022 ONWARD	1
3	PIC082B	WATER CONTAINER LID	1
4	CHE230-20	CHERUB TOP PANEL 2022 ONWARD	1
5	CHE239-12	CHERUB BODY PANEL	1
6	HEA222AA	STEAM VALVE COMP INCL HANDLE & TUBE	1
7	HEA222B	HOT WATER VALVE COMP INCL HANDLE & TUBE	1
8	FC99COM	GROUP COMPLETE	1
9	PIC233-W	DRIP TRAY GRID	1
10	PIC236	DRIP TRAY	1
11	CHE257-12	DRIP TRAY SUPPORT	1
12	FC244LON	SPECIAL S/S FOOT 40DIA X 30MM M10	4

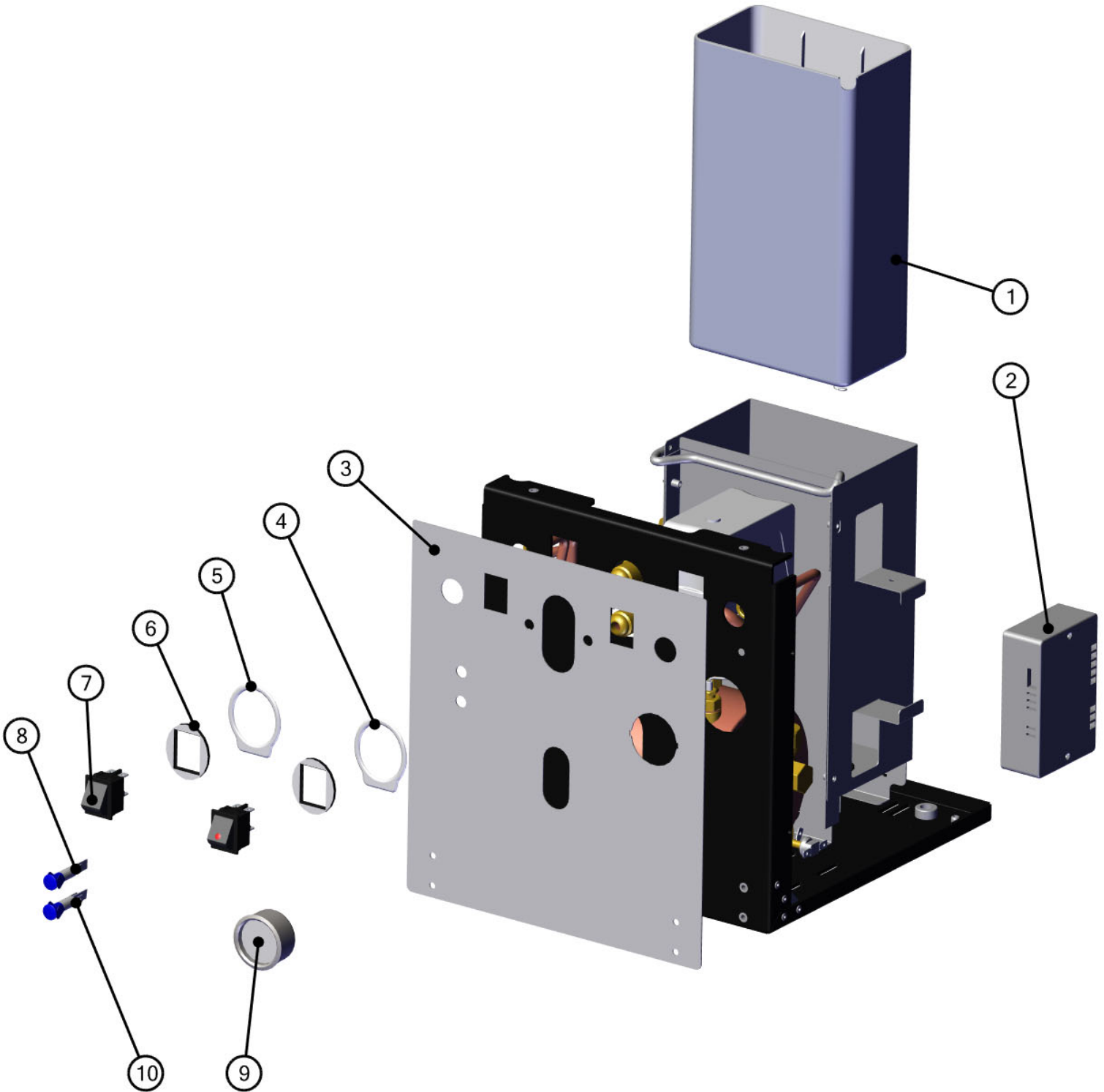


ALTERNATE COMPONENTS:

- 1/2A - CHE230CS - CUP SHIELD PRE 2022
- 4A - CHE230-12 - CHERUB TOP PANEL PRE 2022
- 5A - CHE239-12-S - CHERUB BODY PANEL STAINLESS STEEL
- 11A - CHE257-12-S - DRIP TRAY SUPPORT STAINLESS STEEL

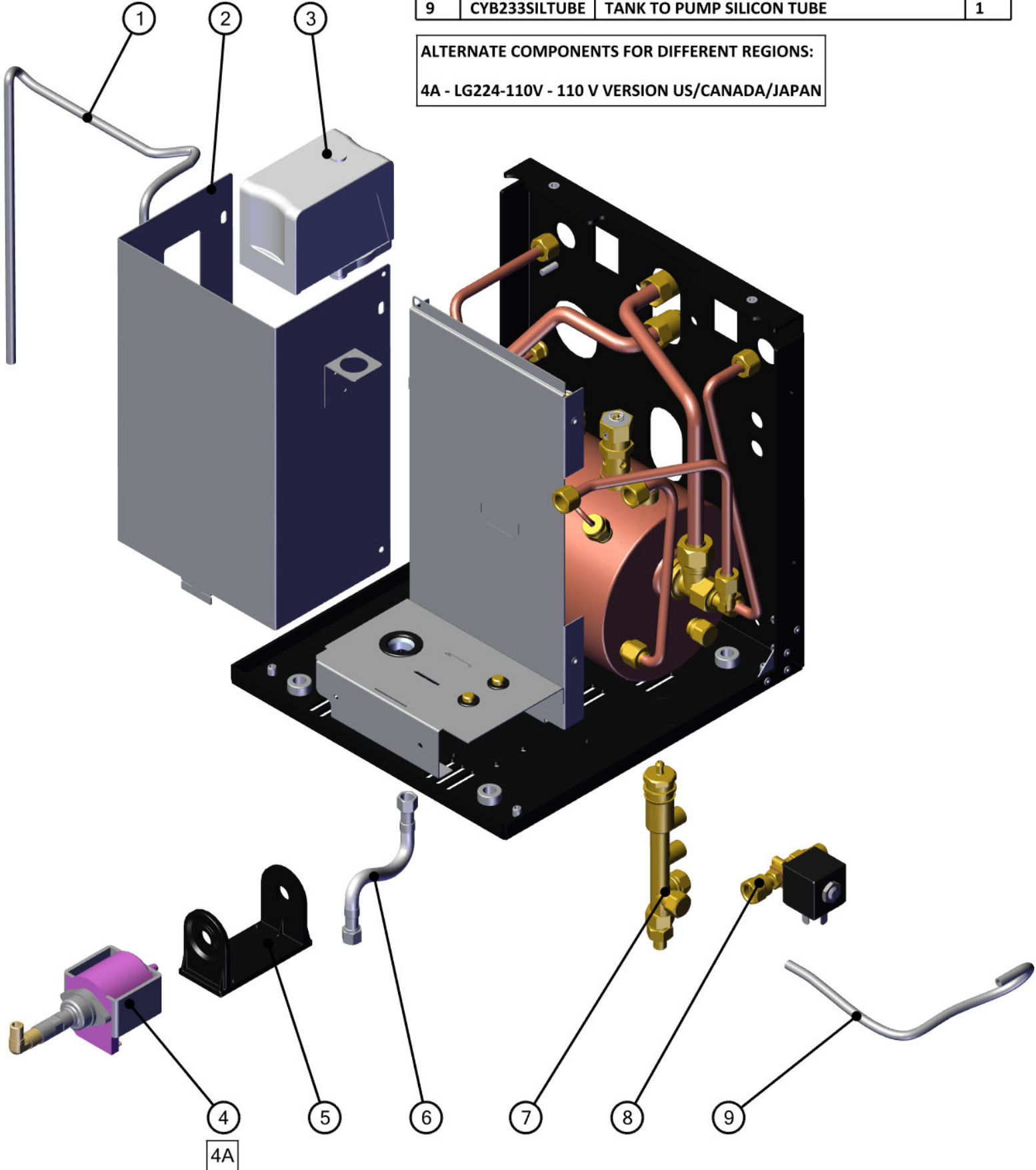


No.	Part No.	Description	Qty
1	PIC082COM	WATER CONTAINER COMPLETE	1
2	PIC172	CONTROL BOX	1
3	CHE248-12	CHERUB FASCIA	1
4	CHE94-BEZ-COFFEE	CHERUB COFFEE BEZEL	1
5	CHE94-BEZ-ON	CHERUB ON/OFF BEZEL	1
6	FC189S-P	SWITCH SURROUND	2
7	FC189	MAINS SWITCH	2
8	FC190-B-NEW	BLUE LED INDICATOR LIGHT	1
9	CHE179	PRESSURE GAUGE	1
10	FC190-R-NEW	RED LED INDICATOR LIGHT	1

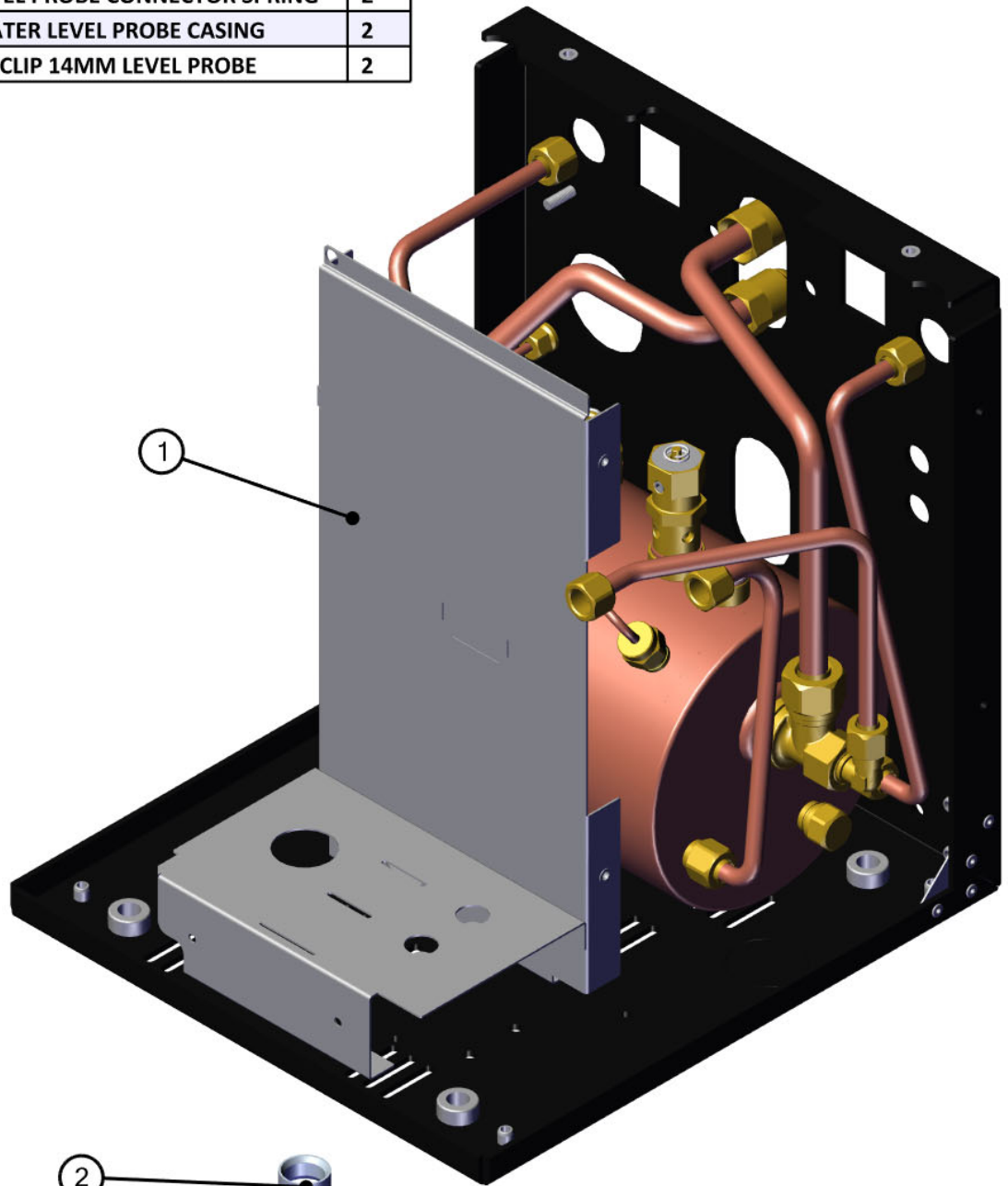


No.	Part No.	Description	Qty
1	CYB233SILTUBE	MANIFOLD TO WATER TANK SILICON TUBE	1
2	CHE005	CHERUB WATER TANK HOUSING REAR	1
3	FC169	PRESSURE SWITCH 3 POLE 30 AMP	1
4	LG224	VIBRATING PUMP LITTLE GEM/HEAVENLY 230V	1
5	LG226A	VIBRATORY PUMP MOUNTING BRACKET	1
6	HEA136	FLEXI HOSE PUMP TO MANIFOLD	1
7	HEA138COM	MANIFOLD	1
8	FC171COM-16	INLET SOLENOID	1
9	CYB233SILTUBE	TANK TO PUMP SILICON TUBE	1

ALTERNATE COMPONENTS FOR DIFFERENT REGIONS:
 4A - LG224-110V - 110 V VERSION US/CANADA/JAPAN



No.	Part No.	Description	Qty
1	PIC005	WATER CONTAINER HOUSING	1
2	PIC082H	PICCINO WATER CONTAINER SEAL	1
3	PIC082G-14	WATER CONTAINER VALVE FEMALE	1
4	PIC082GC	CIRCLIP 26MM	1
5	PIC224E	RUBBER ELBOW	1
6	PIC082K	WATER LEVEL PROBE CONNECTOR	2
7	PIC082F	LEVEL PROBE CONNECTOR SPRING	2
8	PIC082E	WATER LEVEL PROBE CASING	2
9	PIC082	CIRCLIP 14MM LEVEL PROBE	2

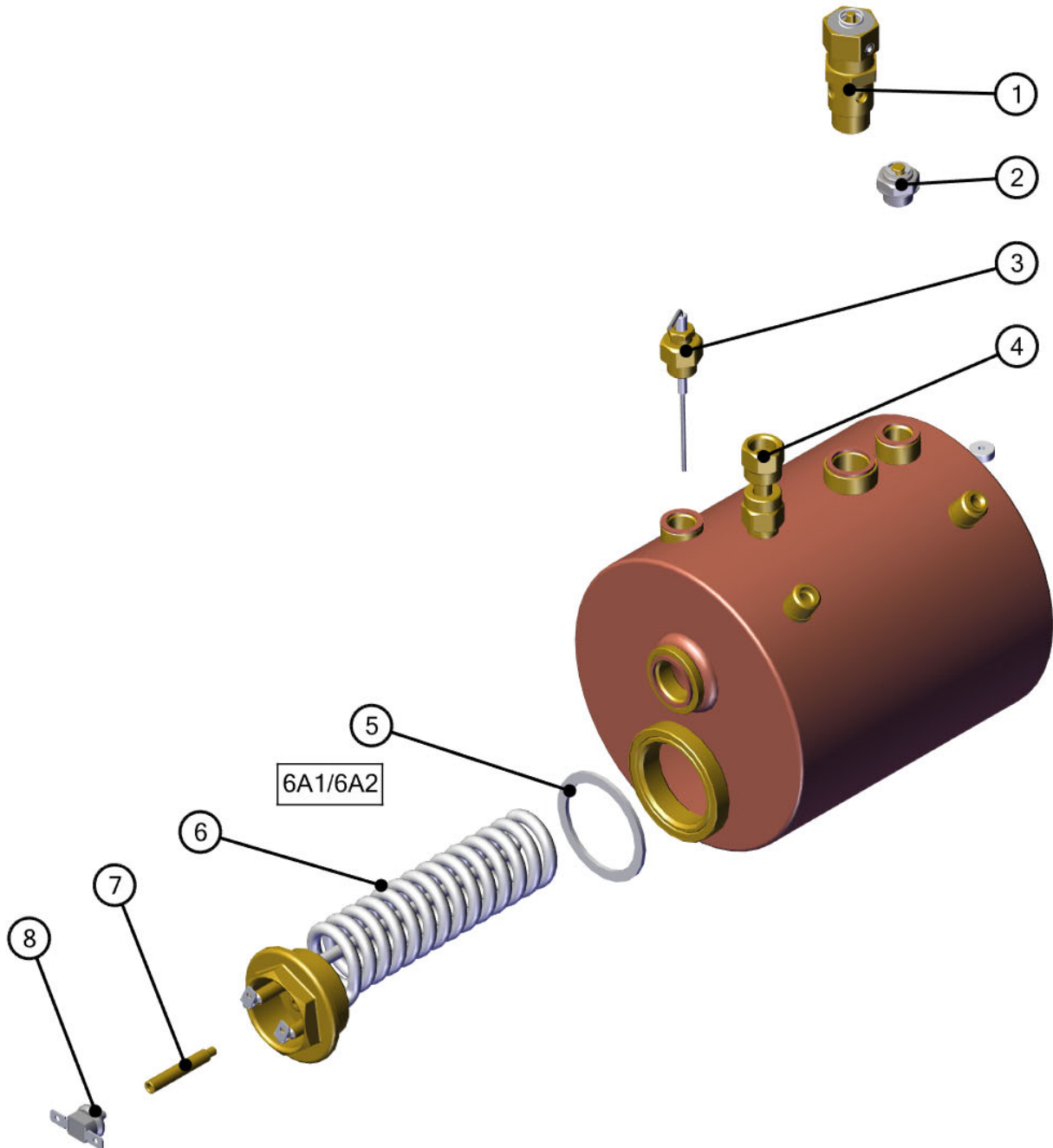


No.	Part No.	Description	Qty
1	UNI1340	SAFTEY VALVE CERTIFIED	1
2	FC1350	AIR RELEASE VALVE	1
3	FC191-85	PROBE 85MM COMPLETE	1
4	HEA74	TUBE STUB CONNNECTOR	1
5	HEA165	ELEMENT GASKET	1
6	HEA161	HEAVENLY ELEMENT 2850W	1
7	HEA080A	LIMIT STAT MOUNTING STUD	1
8	HEA166	HIGH LIMIT THERMOSTAT	1

ALTERNATE COMPONENTS FOR DIFFERENT REGIONS:

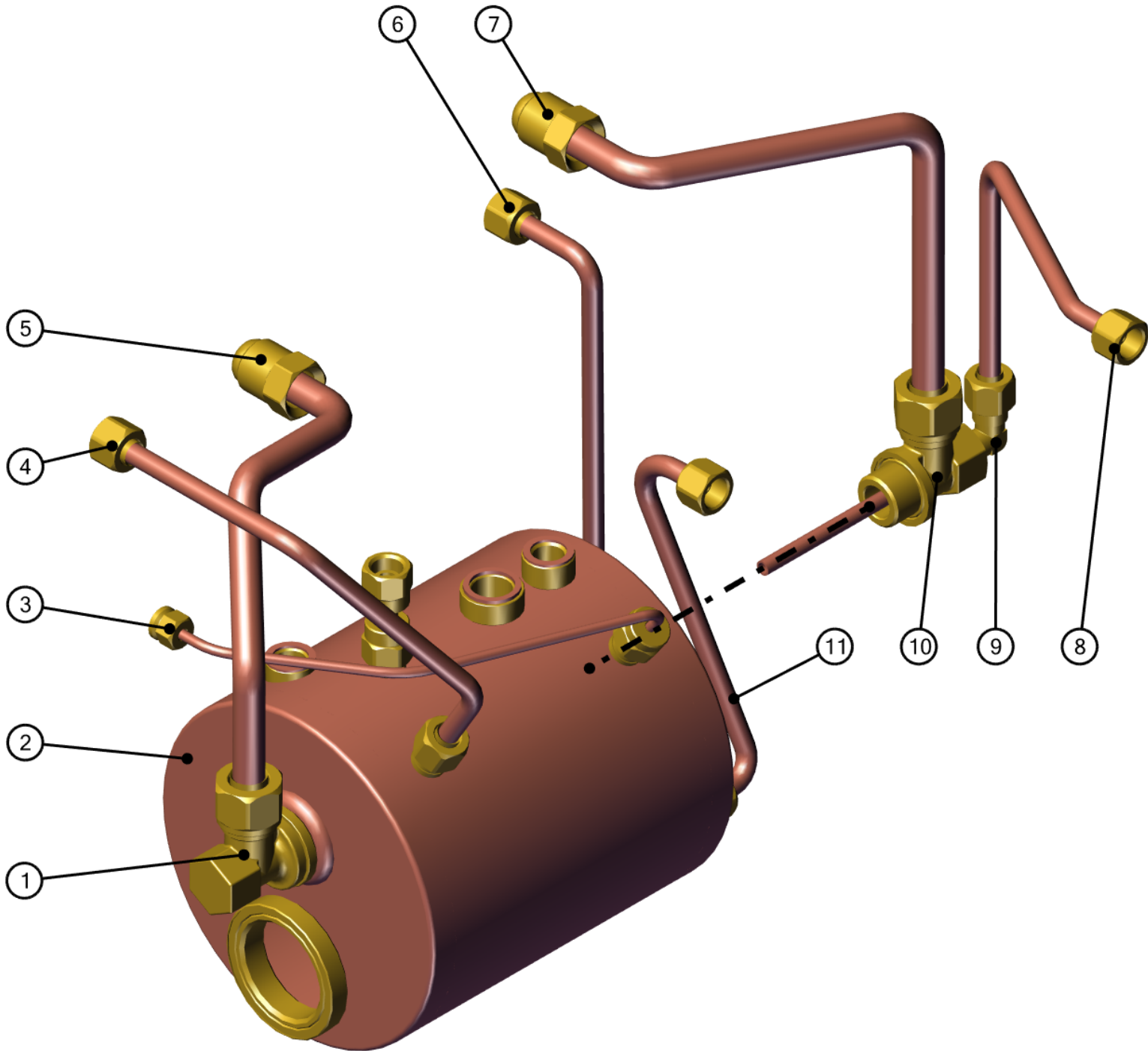
6A1 - HEA161-A ELEMENT 2300W 240V AUSTRALIA

6A2 - HEA161-J ELEMENT 1400W 120V USA/CANADA/JAPAN



No.	Part No.	Description	Qty
1	FC142	HEAT EXCHANGER TOP ELBOW TYPE-B	1
2	HEA80	CHERUB BOILER BODY	1
3	CHE151	BOILER TO GAUGE PIPE	1
4	CHE150	BOILER TO STEAM VALVE PIPE	1
5	HEA147	RH HEAT EX TO BOTTOM GROUP PIPE	1
6	CHE149	BOILER TO HOT WATER VALVE PIPE	1
7	HEA148	LH HEAT EX TO TOP GROUP PIPE	1
8	CHE143A	MANIFOLD TO HEAT EXCHANGER PIPE	1
9	CHE143	DIP TUBE	1
10	FC143	HEAT EXCHANGER BOTTOM B-TYPE	1
11	CHE146	SOLENOID TO BOILER PIPE 8MM	1

**CHERUB BOILER HEA-80
ELEMENT END VIEW**



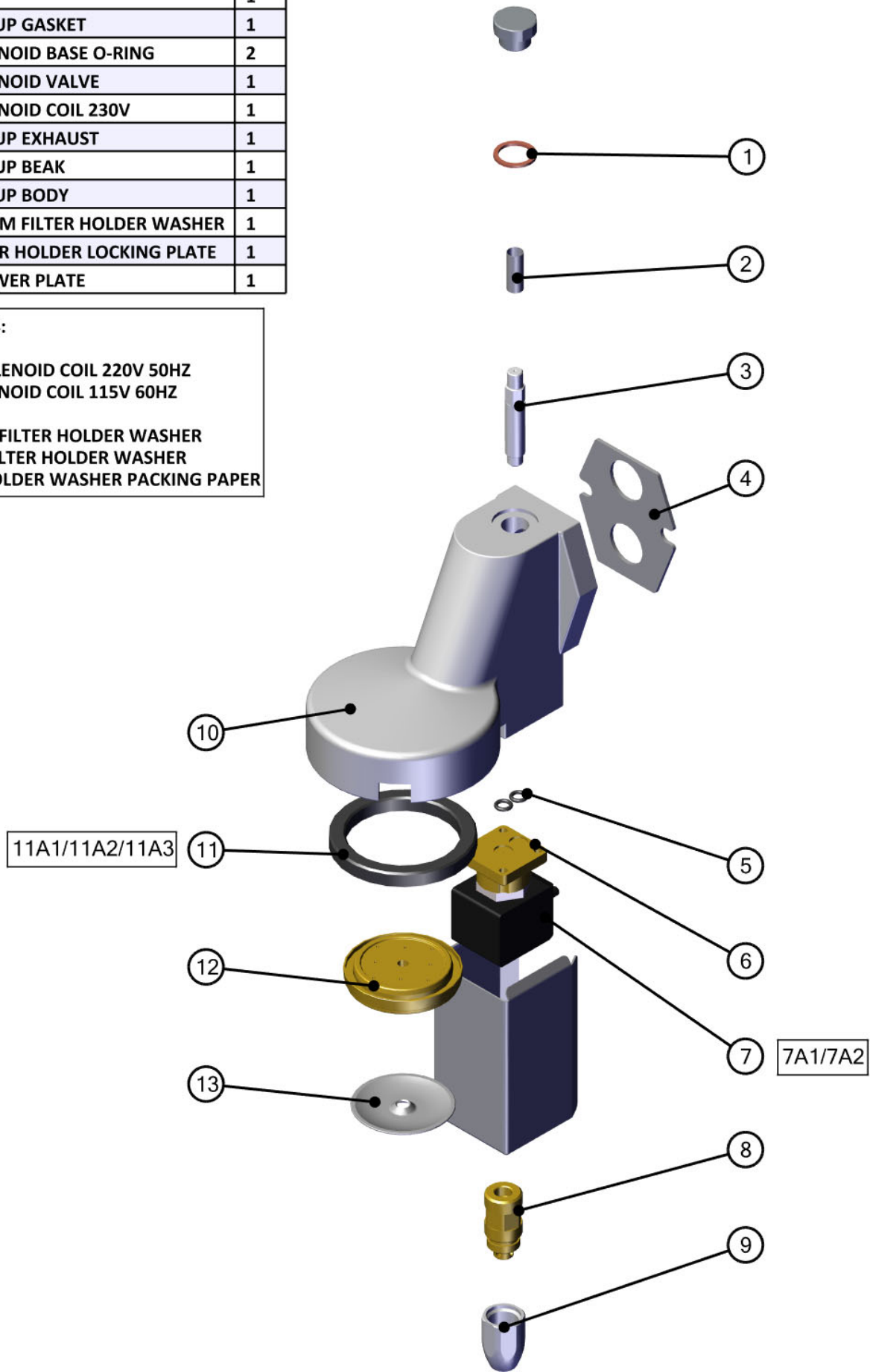
No.	Part No.	Description	Qty
1	FC77	3/8" COPPER WASHER	1
2	FC130	GROUP JET FILTER	1
3	FC129A	JET	1
4	FC101	GROUP GASKET	1
5	FC120	SOLENOID BASE O-RING	2
6	FC125A-LLB	SOLENOID VALVE	1
7	FC124-1-LLB	SOLENOID COIL 230V	1
8	FC95N	GROUP EXHAUST	1
9	FC111A	GROUP BEAK	1
10	FC99	GROUP BODY	1
11	FC104	8.0MM FILTER HOLDER WASHER	1
12	FC104B-15	FILTER HOLDER LOCKING PLATE	1
13	FC103M	SHOWER PLATE	1

GROUP FC99COM

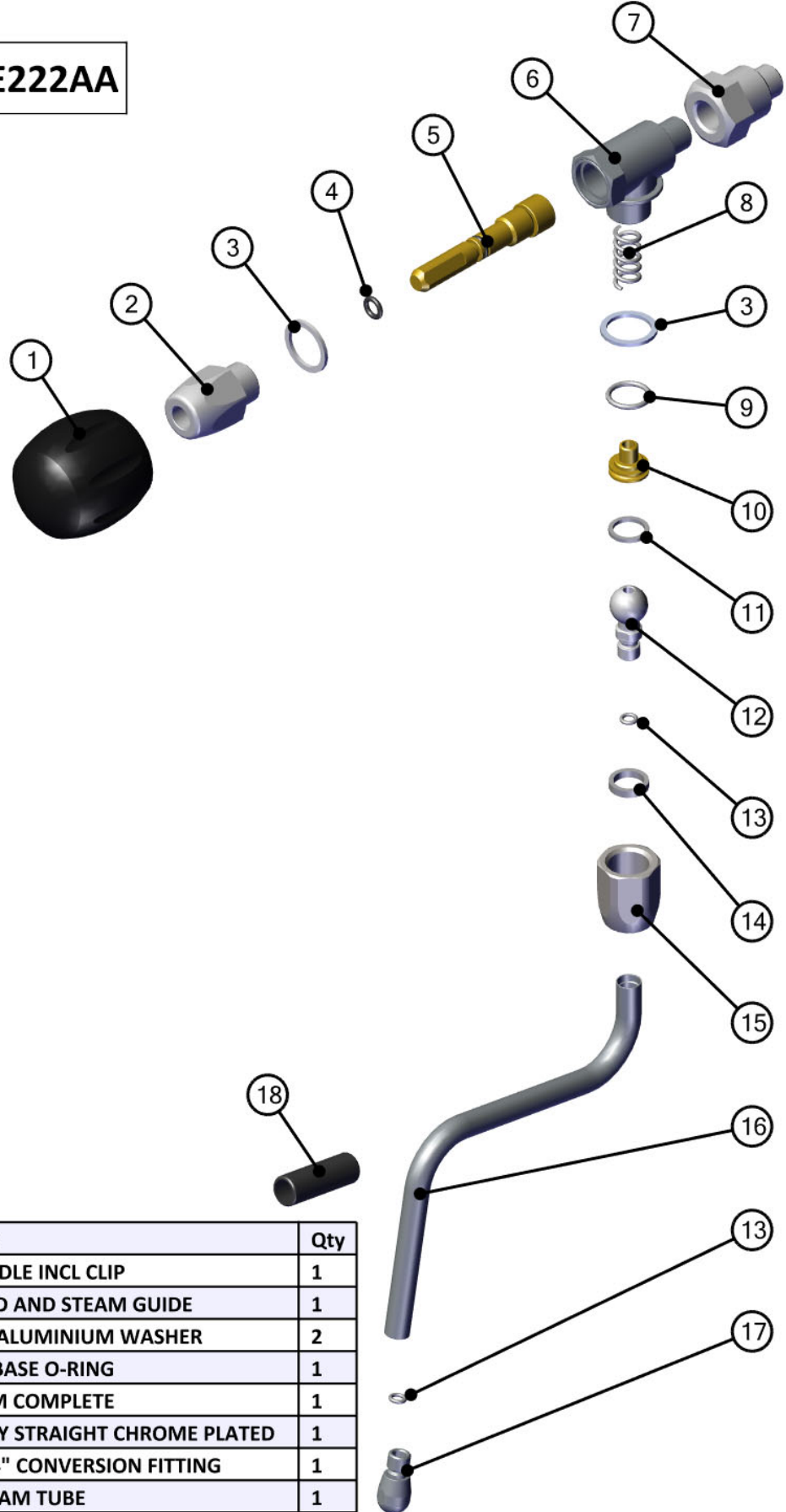
ALTERNATE COMPONENTS:

7A1 - FC124-1-LLB-UL - SOLENOID COIL 220V 50HZ
7A2 - FC124-1-110V - SOLENOID COIL 115V 60HZ

11A1 - FC104-8.5 - 8.5MM FILTER HOLDER WASHER
11A2 - FC104-9 - 9.0MM FILTER HOLDER WASHER
11A3 - FC104-P - FILTER HOLDER WASHER PACKING PAPER

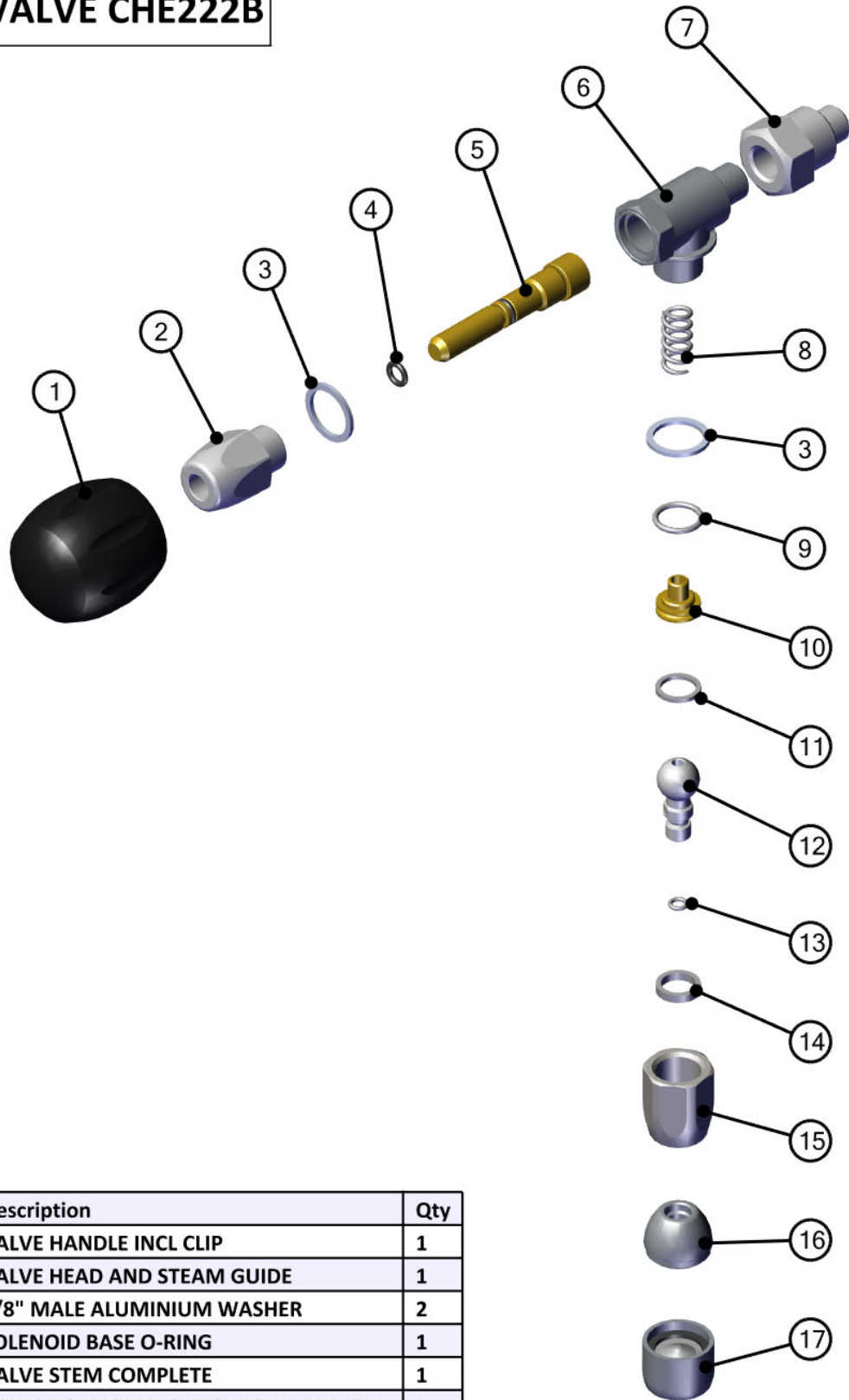


STEAM VALVE CHE222AA



No.	Part No.	Description	Qty
1	HEA307A	VALVE HANDLE INCL CLIP	1
2	HEA222RM	VALVE HEAD AND STEAM GUIDE	1
3	FC77-A	3/8" MALE ALUMINIUM WASHER	2
4	FC120	SOLENOID BASE O-RING	1
5	HEA222V-COM	VALVE STEM COMPLETE	1
6	FC222A-CP	VALVE BODY STRAIGHT CHROME PLATED	1
7	FCL222BP	1/2" TO 1/4" CONVERSION FITTING	1
8	FC222C	SPRING STEAM TUBE	1
9	UNI222FO	11X2MM O-RING (VITON)	1
10	UNI222-FP-16	BRASS STEAM BALL FITTING	1
11	UNI222EM-16	TOP PTFE SEAL BALL FITTING	1
12	FC221ES-13	BALL FITTING	1
13	FC222SG-14	STEAM TUBE O-RING	2
14	UNI222EN	BOTTOM PTFE SEAL BALL FITTING	1
15	FC221DN	STEAM/WATER RETAINING NUT	1
16	HEA221-13	HEAVENLY-CHERUB STEAM TUBE	1
17	FC194B-13	STEAM NOZZLE STANDARD FLUSH FITTING	1
18	FC56R	ANTI BURN STEAM TUBE RUBBER SLEEVE	1

HOT WATER VALVE CHE222B



No.	Part No.	Description	Qty
1	HEA307A	VALVE HANDLE INCL CLIP	1
2	HEA222RM	VALVE HEAD AND STEAM GUIDE	1
3	FC77-A	3/8" MALE ALUMINIUM WASHER	2
4	FC120	SOLENOID BASE O-RING	1
5	HEA222V-COM	VALVE STEM COMPLETE	1
6	FC222A-CP	VALVE BODY STRAIGHT CHROME PLATED	1
7	FCL22BP	1/2" TO 1/4" CONVERSION FITTING	1
8	FC222C	SPRING STEAM PIPE	1
9	UNI222FO	11X2MM O-RING (VITON)	1
10	UNI222-FP-16	BRASS STEAM BALL FITTING	1
11	UNI222EM-16	TOP PTFE SEAL BALL FITTING	1
12	FC221ES-13	BALL FITTING	1
13	FC222SG-14	STEAM TUBE O-RING	1
14	UNI222EN	BOTTOM PTFE SEAL BALL FITTING	1
15	FC221DN	STEAM/WATER RETAINING NUT	1
16	FC194D	NON SPLASH TOP FITTING	1
17	FC194E	ANTI-SPLASH HOT WATER MESH AERATOR	1

MANIFOLD HEA138COM

No.	Part No.	Description	Qty
1	LG178DN	EXPANSION VALVE FITTING HOSE BARB	1
2	FC178C	O-RING EXPANSION VALVE	1
3	FC180LN	M20 LOCK NUT	1
4	FC178G	ADJUSTMENT SCREW	1
5	FC178-B	EXPANSION VALVE SPRING	1
6	FC178FV2	EXPANSION VALVE JUMPER	1
7	FC198	PAD WASHER	1
8	FC138A	MANIFOLD FORGED	1
9	FC180DNT	NON RETURN VALVE SPRING	1
10	FC180BNT	NON RETURN VALVE JUMPER	1
11	FC135-A	NON RETURN VALVE JUMPER O-RING	1
12	HEA180E	1/8" BSP NON-RETURN VALVE BODY	1
13	FC75A	1/4" FEMALE COPPER WASHER	2
14	FC75C	1/4" MALE BLANK CAP	2
15	CHE171COM	INLET SOLENOID COMPLETE	1

